

Safety module - AXL F SSDO8/3 1F - 2702264

Please be informed that the data shown in this PDF Document is generated from our Online Catalog. Please find the complete data in the user's documentation. Our General Terms of Use for Downloads are valid (<http://phoenixcontact.com/download>)



Safety-related digital output module, IP20 protection, for the SafetyBridge system. The module has four safe digital outputs with two-channel occupancy or 8 safe digital outputs with single-channel occupancy

Product Description

The safety module is an output module from the Axioline F product range for use in a SafetyBridge technology V3 system. The safety module can be used as part of an Axioline F station at any point within an EtherCAT®, EtherNet/IP™, Sercos, Modbus, PROFINET or PROFIBUS system. The module has four safe digital outputs for two-channel assignment or eight safe digital outputs for single-channel assignment. Depending on the installation and parameterization, in the SafetyBridge technology V3 system the safety module can achieve the following safety integrity:


- Up to SIL 3 according to standard EN 61508
- Up to SILCL 3 according to standard EN 62061
- Up to Cat. 4/PL e according to standard EN ISO 13849-1

Your advantages

- ✓ Cost-effective system configuration, as no safety PLC or safe fieldbus system is required
- ✓ Flexible use, thanks to compatibility with all bus couplers from the Axioline F range
- ✓ Reduced installation time, thanks to fast wiring and easy handling
- ✓ Easy configuration using the free SAFECONF software
- ✓ Up to Cat. 4/PL e in accordance with EN ISO 13849-1, SIL 3 in accordance with IEC 62061, SIL 3 in accordance with IEC 61508



Key Commercial Data

| | |
|--------------|---|
| Packing unit | 1 pc |
| GTIN |  4 055626 066806 |
| GTIN | 4055626066806 |

Technical data

Dimensions

| | |
|--------------------|--------------------|
| Width | 53.6 mm |
| Height | 126.1 mm |
| Depth | 54 mm |
| Note on dimensions | Housing dimensions |

Safety module - AXL F SSDO8/3 1F - 2702264

Technical data

Ambient conditions

| | |
|--|--|
| Ambient temperature (operation) | -35 °C ... 60 °C (Mounting position: any) |
| Ambient temperature (storage/transport) | -40 °C ... 85 °C |
| Permissible humidity (operation) | 10 % ... 75 % (on average, 85% infrequently, non-condensing) |
| Permissible humidity (storage/transport) | 10 % ... 75 % (non-condensing) |
| Air pressure (operation) | 70 kPa ... 108 kPa (up to 3000 m above sea level) |
| Air pressure (storage/transport) | 66 kPa ... 108 kPa (up to 3500 m above sea level) |
| Degree of protection | IP20 |

Connection data

| | |
|---------------------------------------|----------------------|
| Designation | Axioline F connector |
| Connection method | Push-in connection |
| Conductor cross section solid min. | 0.2 mm ² |
| Conductor cross section solid max. | 1.5 mm ² |
| Conductor cross section flexible min. | 0.2 mm ² |
| Conductor cross section flexible max. | 1.5 mm ² |
| Conductor cross section AWG min. | 24 |
| Conductor cross section AWG max. | 16 |
| Stripping length | 8 mm |

Interfaces

| | |
|-------------------|----------------------|
| Designation | Axioline F local bus |
| Number | 1 |
| Connection method | Bus base module |

Digital outputs

| | |
|------------------------------|--|
| Output name | Digital outputs |
| Number of outputs | 4 (with two-channel assignment) 8 (for single-channel assignment) |
| Connection method | Direct plug-in technology |
| Connection technology | 2-, 3-conductor |
| Number of outputs | 8 |
| Protective circuit | Overload protection, freewheeling circuit for inductive loads, Discharge circuit for accelerated discharge of capacitive loads |
| Output voltage | 24 V DC |
| Output current per channel | 2 A |
| Output current of the device | 8 A |
| Output current | max. 2 A (per channel) max. 1.5 A (per channel according to CUL _{US}) max. 4 A (per group) max. 3 A (per group according to CUL _{US}) max. 8 A (Total current of all outputs; Please observe the notes in the user manual.) max. 6 A (Total current of all outputs according to CUL _{US}) |

Safety module - AXL F SSDO8/3 1F - 2702264

Technical data

Digital outputs

| | |
|------------------------|--|
| Behavior with overload | Affected output is disabled and a diagnostic message is generated. |
|------------------------|--|

General

| | |
|-------------------------------|-------------------------------------|
| Mounting type | DIN rail |
| Color | yellow |
| Net weight | 222 g |
| Note on weight specifications | with connectors and bus base module |

Axioline potentials

| | |
|----------------------|--|
| Designation | Axioline F local bus supply (U_{Bus}) |
| Supply voltage | 5 V DC (via bus base module) |
| Current consumption | typ. 260 mA (all outputs set; power supply by U_O of 19.2 V DC to 30.2 V DC) |
| | max. 280 mA |
| Designation | Supply for digital output modules (U_O) |
| Supply voltage | 24 V DC |
| Supply voltage range | 19.2 V DC ... 30.2 V DC (including all tolerances, including ripple) |
| Current consumption | typ. 25 mA (all outputs set; power supply by U_O with 30.2 V DC; without power supply to the actuator) |
| Protective circuit | Protection against polarity reversal, EMC protective circuit, undervoltage detection |

Safety-related characteristic data

| | |
|------------------------------|--|
| Designation | IEC 61508 - High demand |
| Safety Integrity Level (SIL) | max. 3 (two channel; dependent in parameterization and wiring) |
| Designation | IEC 61508 - Low demand |
| Safety Integrity Level (SIL) | max. 3 (two channel; dependent in parameterization and wiring) |
| Designation | EN ISO 13849 |
| Performance level (PL) | max. e (two channel; dependent in parameterization and wiring) |
| Category | max. 4 (two channel; dependent in parameterization and wiring) |
| Designation | EN 62061 |
| Safety Integrity Level (SIL) | max. 3 (two channel; dependent in parameterization and wiring) |

Standards and Regulations

| | |
|------------------|---------------------------------------|
| Protection class | III (IEC 61140, EN 61140, VDE 0140-1) |
|------------------|---------------------------------------|

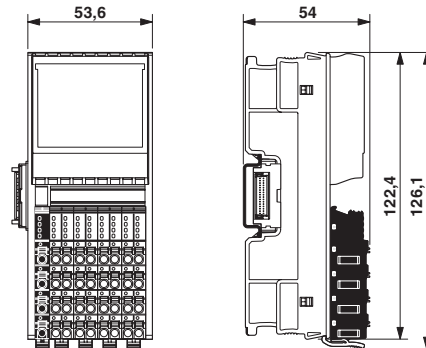
Environmental Product Compliance

| | |
|------------|---|
| REACH SVHC | Lead 7439-92-1 |
| China RoHS | Environmentally Friendly Use Period = 50 years |
| | For details about hazardous substances go to tab "Downloads", Category "Manufacturer's declaration" |

Drawings

Safety module - AXL F SSDO8/3 1F - 2702264

Dimensional drawing



Classifications

eCl@ss

| | |
|---------------|----------|
| eCl@ss 10.0.1 | 27242604 |
| eCl@ss 11.0 | 27242604 |
| eCl@ss 5.1 | 27242600 |
| eCl@ss 6.0 | 27242600 |
| eCl@ss 7.0 | 27242604 |
| eCl@ss 9.0 | 27242604 |

ETIM

| | |
|----------|----------|
| ETIM 6.0 | EC001599 |
| ETIM 7.0 | EC001599 |

UNSPSC

| | |
|-------------|----------|
| UNSPSC 13.2 | 32151602 |
| UNSPSC 18.0 | 32151602 |
| UNSPSC 19.0 | 32151602 |
| UNSPSC 20.0 | 32151602 |
| UNSPSC 21.0 | 32151602 |

Approvals

Approvals

Approvals

Functional Safety / UL Listed / cUL Listed / Functional Safety / BSH / DNV GL / cULus Listed

Ex Approvals

Approval details

Safety module - AXL F SSDO8/3 1F - 2702264

Approvals

| | | |
|-------------------|--|------------------|
| Functional Safety | | 968/EZ 424.05/17 |
|-------------------|--|------------------|

| | | | |
|-----------|--|---|---------------|
| UL Listed | | http://database.ul.com/cgi-bin/XYV/template/LISEXT/1FRAME/index.htm | FILE E 238705 |
|-----------|--|---|---------------|

| | | | |
|------------|--|---|---------------|
| cUL Listed | | http://database.ul.com/cgi-bin/XYV/template/LISEXT/1FRAME/index.htm | FILE E 238705 |
|------------|--|---|---------------|

| | | |
|-------------------|--|------------------|
| Functional Safety | | 968/EZ 424.05/17 |
|-------------------|--|------------------|

| | |
|-----|-----|
| BSH | 840 |
|-----|-----|

| | | | |
|--------|--|---|------------|
| DNV GL | | https://approvalfinder.dnvgl.com/ | TAA00000DF |
|--------|--|---|------------|

| | |
|--------------|--|
| cULus Listed | |
|--------------|--|

Accessories

Accessories

Device marking

Insert label - EMT (35X46)R - 0801604



Insert label, for the Axioline F series from Phoenix Contact, Roll, white, unlabeled, can be labeled with: THERMOMARK ROLLMARKER 300/600, THERMOMARK X1.2, THERMOMARK ROLL X1, THERMOMARK ROLL 2.0, THERMOMARK ROLL, mounting type: snapped into marker carrier, lettering field size: 35 x 46 mm, Number of individual labels: 500

Safety module - AXL F SSDO8/3 1F - 2702264

Accessories

Insert label - EMT (35X46)R YE - 0801605



Insert label, for the Axioline F series from Phoenix Contact. Roll, yellow, unlabeled, can be labeled with: THERMOMARK ROLLMASTER 300/600, THERMOMARK X1.2, THERMOMARK ROLL X1, THERMOMARK ROLL 2.0, THERMOMARK ROLL, mounting type: snapped into marker carrier, lettering field size: 35 x 46 mm, Number of individual labels: 500

DIN rail connector

Bus connector - AXL F BS F - 2688129



Axioline F bus base module for housing type F

Terminal marking

Zack marker strip - ZB 20,3 AXL UNPRINTED - 0829579



Zack marker strip for Axioline F (device labeling), in 2 x 20.3 mm pitch, unprinted, 25-section, for individual labeling with B-STIFT 0.8, X-PEN, or CMS-P1-PLOTTER

Zack Marker strip, flat - ZBF 10/5,8 AXL UNPRINTED - 0829580



Zack Marker strip, flat, Strip, white, unlabeled, can be labeled with: PLOTMARK, CMS-P1-PLOTTER, mounting type: snap into flat marker groove, for terminal block width: 10.15 mm, lettering field size: 4 of 10.15 x 5 mm and 1 of 5.8 x 5 mm, Number of individual labels: 50